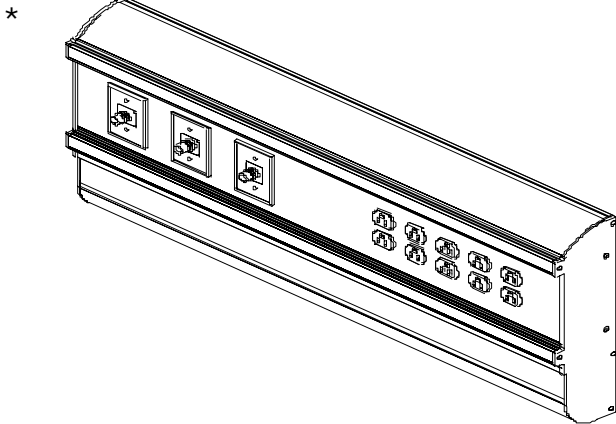
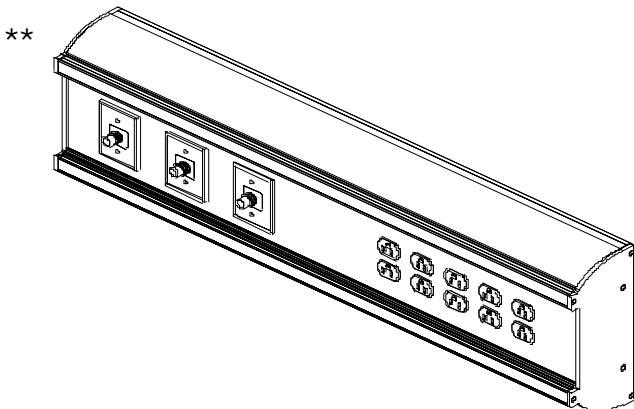


Prestige Series Single Tier Horizontal Service Chase



* Prestige Series Horizontal Service Chase height is 411mm



** Prestige Slim Series Horizontal Service Chase height is 299mm

Item number definition

HSC-XXYY-S-S

"XX"= Width in inches

"YY"= Height in inches

S= Single Tier

S= Slim

Maximum length for each unit: 96"

Construction Specification

This Horizontal Service Chase unit shall be constructed of .094" thick 6063-t 5 alloy, extruded aluminium for the structural frame members. All exposed aluminium surface shall be clear anodized and light almond powder coated. Each unit shall be equipped with Medical Design's horizontal rails as an integral part of the main frame, designed to manage hospital equipment and accessories both horizontally and vertically.

A laminated aluminium fascia strip shall receive medical gas outlet and electrical devices. The decorative laminated fascia shall be constructed of .094" thick 6063-t 5 alloy. This product is cULus listed.

Medical Gas

Medical gas outlets shall be supplied, installed and manifolded by Medical Design. When connections comes from behind the unit, the medical gas will be manifolded in copper piping terminating at the center of the unit. Installation and testing shall comply with National Fire Protection Association (NFPA 99c) & C.R.N. (BNQ 5710-500, CSA Z305.1 / B51-95).

Electrical Equipment

Electrical devices shall be supplied and pre-wired by Medical Design. Wiring shall run through a metal raceway and terminate at either end for a single connection point to the Hospital electrical system. Conductors shall be No 12 stranded RW-90 copper wire for normal and emergency power circuits. All devices shall be grounded with #10 AWG green jacket stranded copper wire. All electrical receptacles shall be NEMA 5-15/20R, 125volts AC, hospital grade and comply with CSA and are cULus listed. Receptacles shall be red for emergency and ivory for normal power.

Communication

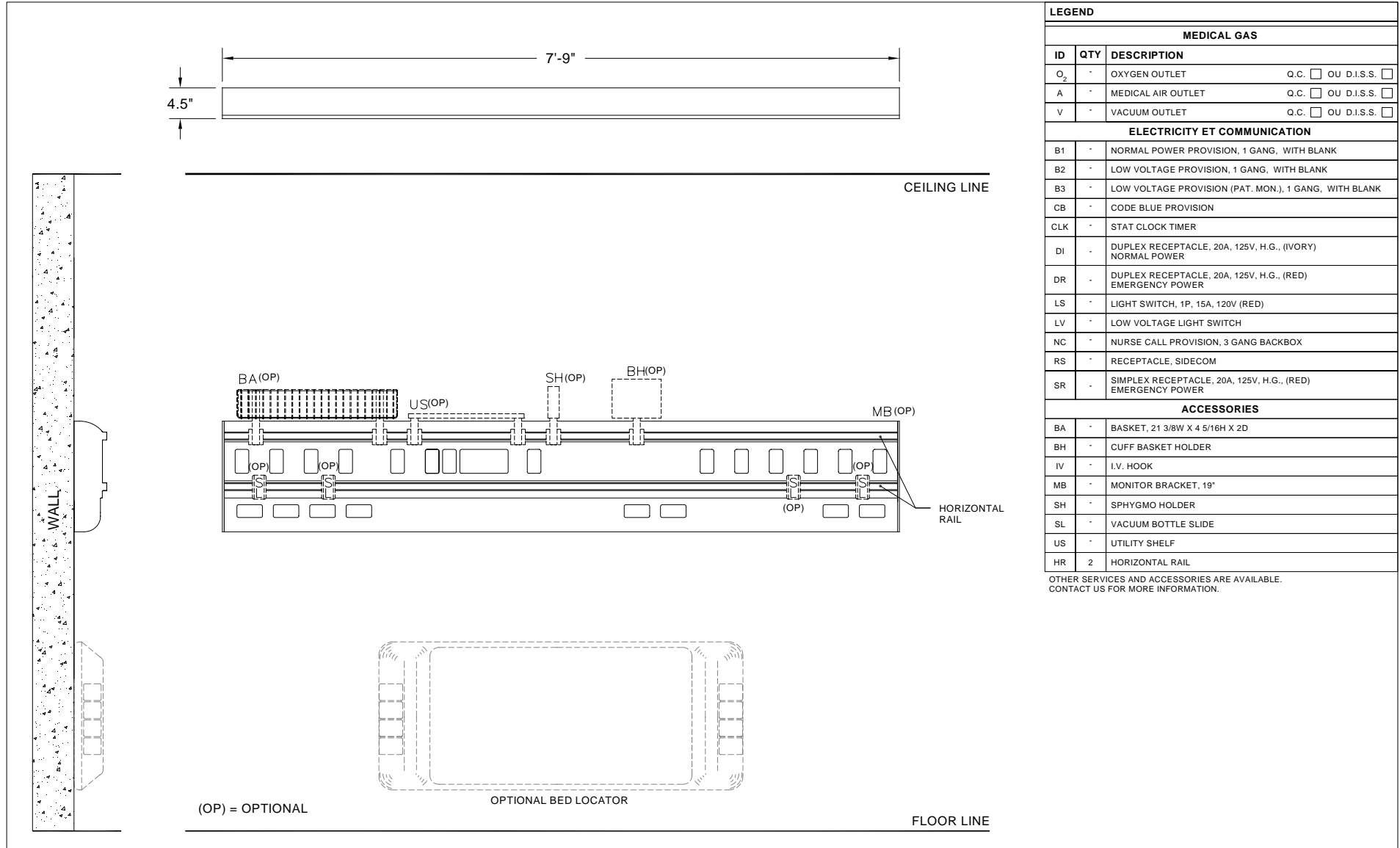
Communication devices shall be supplied and installed by others. Provisions for devices shall be coordinated with Medical Design.

Site Installation

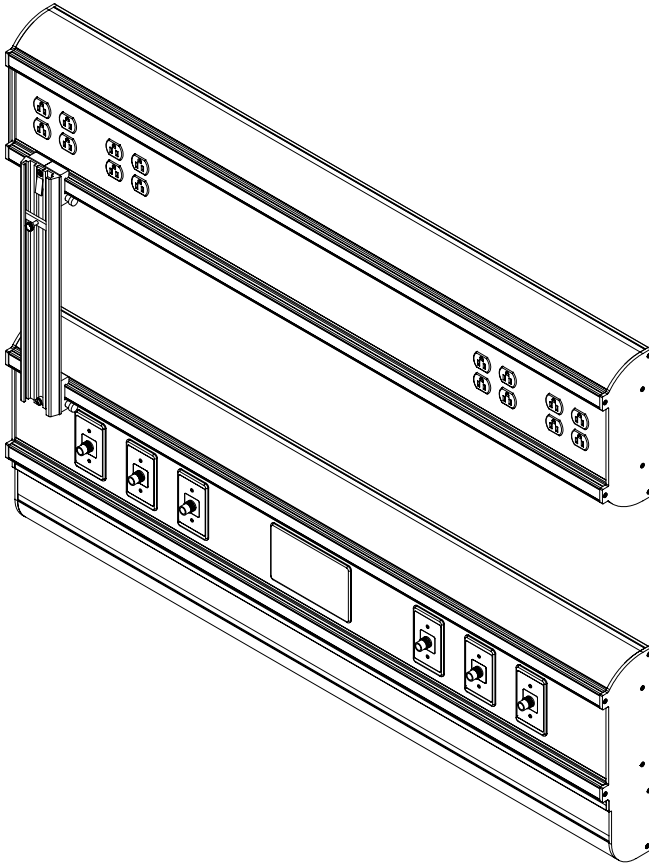
All units shall be installed in accordance with Medical Design's installation instructions. The mechanical and electrical contractor shall provide the final connection to the Hospital System. The contractor has the responsibility to insure that every unit is subject to a final site inspection in compliance with all National, State and Local Codes.



PRESTIGE SERIES SINGLE TIER HORIZONTAL SERVICE CHASE



Prestige Series Double Tier Horizontal Service Chase



Included units

- Prestige Slim Series Single Tier Horizontal Chase (299.3mm) - Top
- Prestige Series Single Tier Horizontal Chase (411mm) - Bottom

Item number definition

HSC-XXYY-D

"XX"= Width in inches

"YY"= Height in inches

D= Double Tier

Maximum length for each unit: 96"

Construction Specification

This product shall be formed of one Prestige Slim series unit on top of one Prestige series unit. This Horizontal Service Chase unit shall be constructed of .094" thick 6063-t 5 alloy, extruded aluminium for the structural frame members. All exposed aluminium surface shall be clear anodized and light almond powder coated. Each unit shall be equipped with Medical Design's horizontal rails as an integral part of the main frame, designed to manage hospital equipment and accessories both horizontally and vertically.

A laminated aluminium fascia strip shall receive medical gas outlet and electrical devices. The decorative laminated fascia shall be constructed of .094" thick 6063-t 5 alloy. This product is cULus listed.

Medical Gas

Medical gas outlets shall be supplied, installed and manifolded by Medical Design. When connections comes from behind the unit, the medical gas will be manifolded in copper piping terminating at the center of the unit. Installation and testing shall comply with National Fire Protection Association (NFPA 99c) & C.R.N. (BNQ 5710-500, CSA Z305.1 / B51-95).

Electrical Equipment

Electrical devices shall be supplied and pre-wired by Medical Design. Wiring shall run through a metal raceway and terminate at either end for a single connection point to the Hospital electrical system. Conductors shall be No 12 stranded RW-90 copper wire for normal and emergency power circuits. All devices shall be grounded with #10 AWG green jacket stranded copper wire. All electrical receptacles shall be NEMA 5-15/20R, 125volts AC, hospital grade and comply with CSA and are cULus listed. Receptacles shall be red for emergency and ivory for normal power.

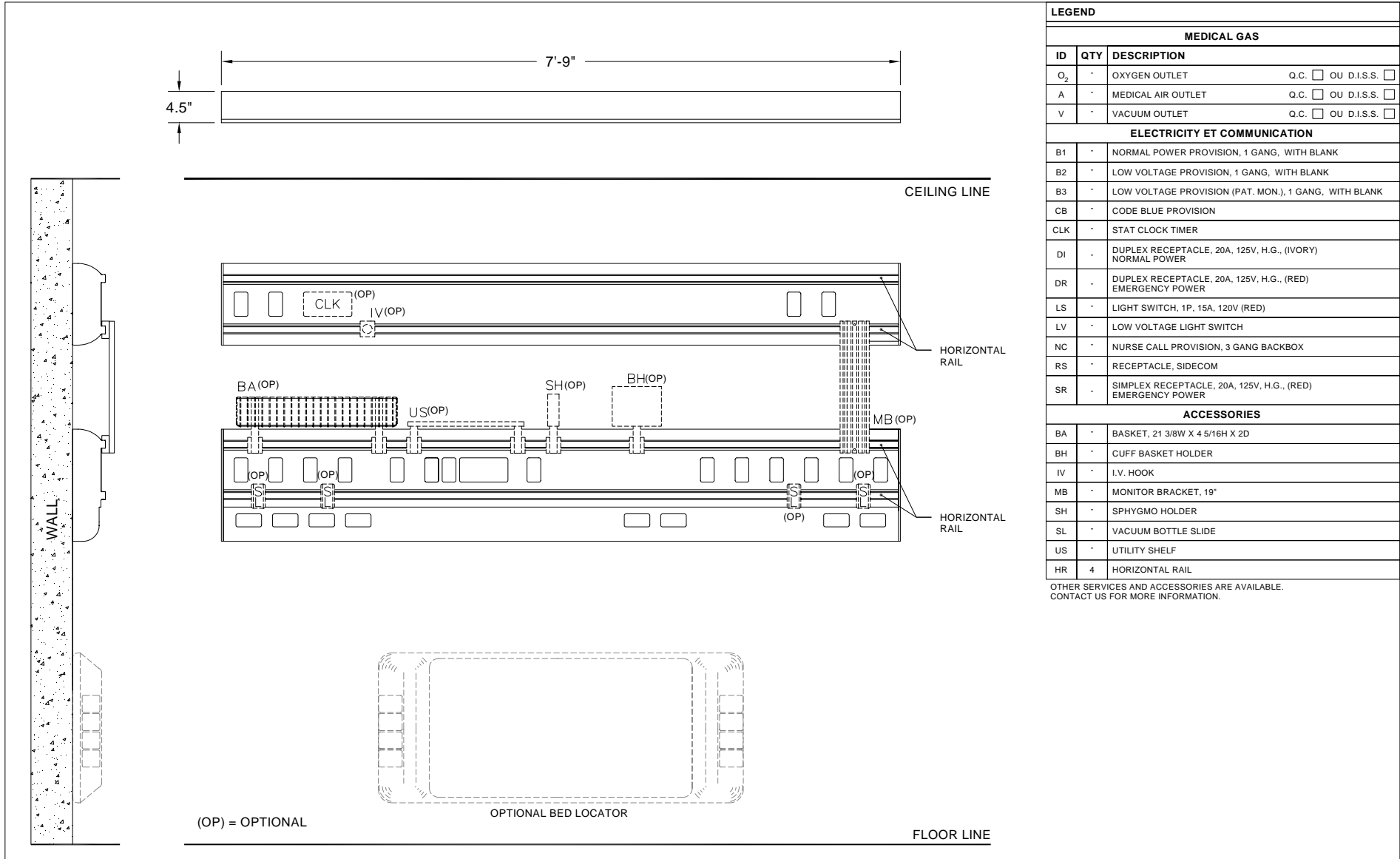
Communication

Communication devices shall be supplied and installed by others. Provisions for devices shall be coordinated with Medical Design.

Site Installation

All units shall be installed in accordance with Medical Design's installation instructions. The mechanical and electrical contractor shall provide the final connection to the Hospital System. The contractor has the responsibility to insure that every unit is subject to a final site inspection in compliance with all National, State and Local Codes.

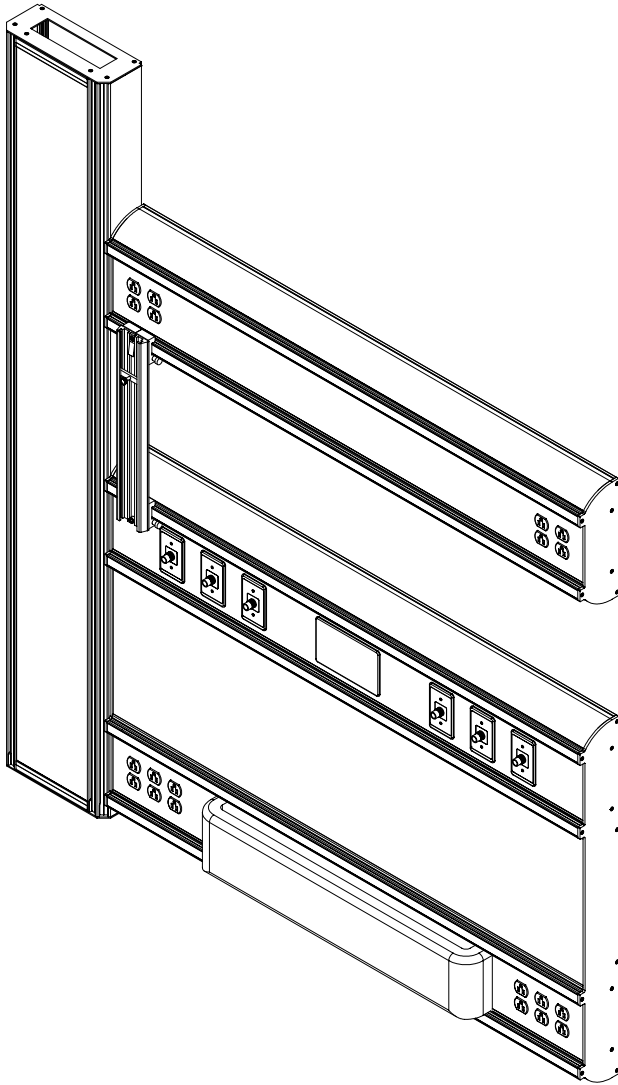
PRESTIGE SERIES DOUBLE TIER HORIZONTAL SERVICE CHASE



LEGEND			
MEDICAL GAS			
ID	QTY	DESCRIPTION	
O ₂	-	OXYGEN OUTLET	Q.C. <input type="checkbox"/> OU D.I.S.S. <input type="checkbox"/>
A	-	MEDICAL AIR OUTLET	Q.C. <input type="checkbox"/> OU D.I.S.S. <input type="checkbox"/>
V	-	VACUUM OUTLET	Q.C. <input type="checkbox"/> OU D.I.S.S. <input type="checkbox"/>
ELECTRICITY ET COMMUNICATION			
B1	-	NORMAL POWER PROVISION, 1 GANG, WITH BLANK	
B2	-	LOW VOLTAGE PROVISION, 1 GANG, WITH BLANK	
B3	-	LOW VOLTAGE PROVISION (PAT. MON.), 1 GANG, WITH BLANK	
CB	-	CODE BLUE PROVISION	
CLK	-	STAT CLOCK TIMER	
DI	-	DUPLEX RECEPTACLE, 20A, 125V, H.G., (IVORY) NORMAL POWER	
DR	-	DUPLEX RECEPTACLE, 20A, 125V, H.G., (RED) EMERGENCY POWER	
LS	-	LIGHT SWITCH, 1P, 15A, 120V (RED)	
LV	-	LOW VOLTAGE LIGHT SWITCH	
NC	-	NURSE CALL PROVISION, 3 GANG BACKBOX	
RS	-	RECEPTACLE, SIDECOM	
SR	-	SIMPLEX RECEPTACLE, 20A, 125V, H.G., (RED) EMERGENCY POWER	
ACCESSORIES			
BA	-	BASKET, 21 3/8W X 4 5/16H X 2D	
BH	-	CUFF BASKET HOLDER	
IV	-	I.V. HOOK	
MB	-	MONITOR BRACKET, 19"	
SH	-	SPHYGMO HOLDER	
SL	-	VACUUM BOTTLE SLIDE	
US	-	UTILITY SHELF	
HR	4	HORIZONTAL RAIL	

OTHER SERVICES AND ACCESSORIES ARE AVAILABLE. CONTACT US FOR MORE INFORMATION.

Prestige Series Triple Tier Horizontal Service Chase



Item number definition

HSC-XXYY-T

"XX"= Width in inches

"YY"= Height in inches

T= Triple Tier

Maximum length for each unit: 96"

Construction Specification

This product is formed of one Prestige Slim series unit, one extended Prestige series unit with an integrated bed bumper and a drop to accommodate all medical gas hoses. These Horizontal Service Chase units shall be constructed of .094" thick 6063-t 5 alloy, extruded aluminium for the structural frame members. All exposed aluminium surface shall be clear anodized and light almond powder coated. Each unit shall be equipped with six Medical Design's horizontal rails as an integral part of the main frame, designed to manage horizontally hospital equipment and accessories.

A laminated aluminium fascia strip with opening available at every 2.375" shall accept medical gas outlet or electrical services. The decorative laminated fascia shall be constructed of .094" thick 6063-t 5 alloy. The drop unit shall be constructed of high density fire retardant particle board. This product is cULus listed.

Medical Gas

Medical gas outlets shall be supplied, installed and manifolded by Medical Design. Outlets shall be connected to the Hospital system via flexible hoses that shall pass through the vertical drop. Installation and testing shall comply with National Fire Protection Association (NFPA 99c) & C.R.N. (BNQ 5710-500, CSA Z305.1 / B51-95).

Electrical Equipment

Electrical devices shall be supplied and pre-wired by Medical Design. Wiring shall run through a metal raceway and pass through the drop and terminate above the unit for a single connection point to the Hospital electrical system. Conductors shall be No 12 stranded RW-90 copper wire for normal and emergency power circuits. All devices shall be grounded with #10 AWG green jacket stranded copper wire. All electrical receptacles shall be NEMA 5-15/20R, 125volts AC, hospital grade and comply with CSA and are cULus listed. Receptacles shall be red for emergency and ivory for normal power.

Communication

Communication devices shall be supplied and installed by others. Provisions for devices shall be coordinated with Medical Design.

Site Installation

All units shall be installed in accordance with Medical Design's installation instructions. The mechanical and electrical contractor shall provide the final connection to the Hospital System. The contractor has the responsibility to insure that every unit is subject to a final site inspection in compliance with all National, State and Local Codes.

PRESTIGE SERIES TRIPLE TIER HORIZONTAL SERVICE CHASE WITH DROP

